

# 1. Product Introduction

## Advantages of CDTrans Optical Transmission Series Products



### 1. Sustainable R&D, Keep Up with Market

C-Data has a professional R&D team, which can quickly upgrade all products to meet the diversified needs of customers.

### 3. Low-Cost Configuration, High-Quality Products

The customers' requirements for high-quality system products are met by relying on mature supply chain and rich application experience.

### 5. Forward-looking Technology, Diversified Products

With coherent optical technology, optical amplification, optical cross-connection, we can meet the requirements of high-speed, large-particle, long-haul, multi-cross, and full-service WDM transmission.

### 2. Compact Design, Suitable for Multiple Environments

CDTrans optical transmission series products have excellent performance. Through excellent heat dissipation and power supply design, with industrial-grade chips, which are suitable for harsh environments.

### 4. Efficient Network Management, Preventive Maintenance

A simple and efficient network management interface is configured. It can inform maintenance personnel of major faults by a short message in time.

# Wavelength Division Transmission System

Wavelength division transmission system provides an excellent optical transmission platform for metropolitan. It integrates WDM technology, applies advanced optical transmission and highly integrated technology. With the functions of high-speed, large-capacity and fully transparent, which can realize the upgrade of network capacity and provide a comprehensive, flexible and mature protection scheme.

Our WDM is divided into 1U/2U/6U, which includes NMU, Mux/Demux, OTU/MOTU, EDFA, OLP, DCM, etc. The service cards are hot pluggable and can be used in all series of machine frames. It has the characteristics of compact structure, flexible configuration, low power consumption, and the humanized network management interface of B/S architecture is supported. The maintenance is simple.



CDTrans-1000



CDTrans-2000



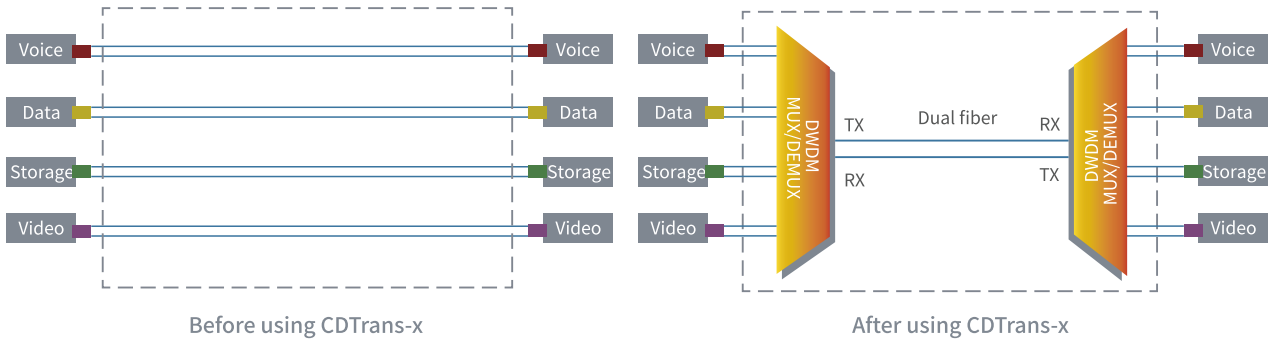
CDTrans-6000

## Product Highlights

- Standard 1U / 2U / 6U rack design, adopts the front outlet mode
- Support 100 Mbit / S ~ 200 Gbit / s rate of all types of services WDM
- Support CWDM and DWDM, and can be used in both coarse and dense waves
- Support single fiber unidirectional, single fiber bidirectional and dual fiber bidirectional
- Support the unified network management platform and provides perfect network and equipment performance monitoring
- Support AC /DC power supply, 1 + 1 power protection
- Simple installation, fast service loading and debugging

## Save Optical Fiber Resources

Wavelength Division Transmission System can multiplex multiple services to a single optical fiber, and support multiple signals to transmit at the same time, which can maximize the utilization of optical fiber.



## Application sceneries



Telecom



Broadcast & television



IDC service provider



Private network customers:  
Banking, School, Government...

# CDTransView Optical Transmission Network Management Unit



CDTrans-NMU can realize the comprehensive management of CDTrans WDM transmission system. It supports remote connection, chain, ring, and ring chain networking to realize one-point access to the whole network. It supports Web and CLI, and can build professional network management solutions.



### Management type

- Web
- CLI



### Fault management

- Show alarms
- Forward to email server



### Monitor management

- Multi-site remote monitoring
- Optical performance monitoring

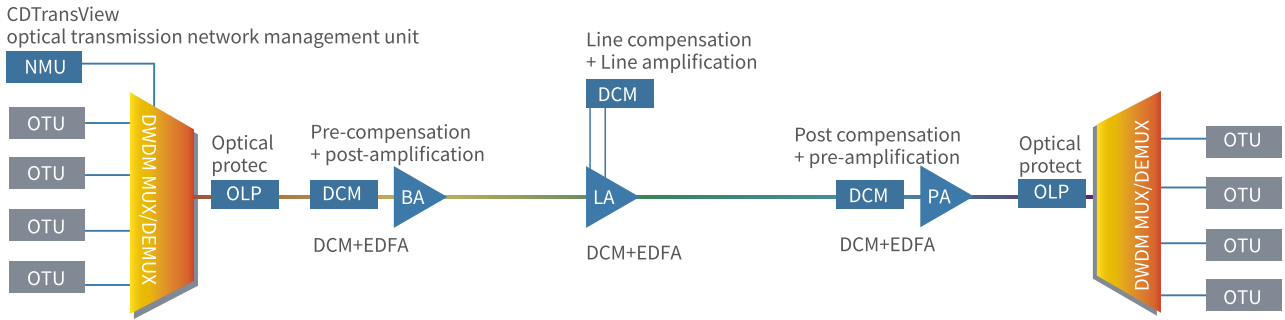
## Product Description

Items	Description		
Model	CDTrans-1000	CDTrans-2000	CDTrans-6000
Dimension	1U	2U	6U
(H*W*D)	45 * 440 * 320 mm	89 * 440 * 380 mm	260 * 440 * 320mm
Slots	4 slots	8 slots	20 slots
Maximum Power	<60W	<120W	<550W
Number of channels	8	16	48/96
Networking topology	Point to point, chain, star, ring, ring with chain, mesh network		
Wavelength range	DWDM: 1528nm~1568nm CWDM: 1271~1611nm		
Wavelength interval	50GHz/100GHz fixed grid		
Optical interface	SDH rate: STM-1 / 4 / 16 / 64		
transmission mode	Ethernet rate: FE/GE/10GE/25GE/100GE CPRI rate: CPRI1-8 or eCPRI FC rate: 2G/4G/8G/10G/16G/32GFC OTU rate: OTU1/OTU1e/OTU1f, OTU2/OTU2e/OTU2f, OTU3.4, OTU4.4		
Support Service types	SDH/SONET, Ethernet, SAN, OTN, Video, CPRI		
Power supply mode	110V-220V AC - 48V DC 1 + 1 hot backup		
Operating environment	Temperature: - 10 °C ~ 60 °C Humidity: 5 ~ 95% no condensation		
Storage environment	Temperature: - 40 °C ~ 80 °C		
Dissipate heat	1*Fan, hot pluggable		
Security and EMC	FCC, UL, CE, TUV, CSA		
Management interface	3*FE RJ45; 3*FE SFP; 2*Micro USB		
Network management mode	WEB, CLI		

## Networking Application

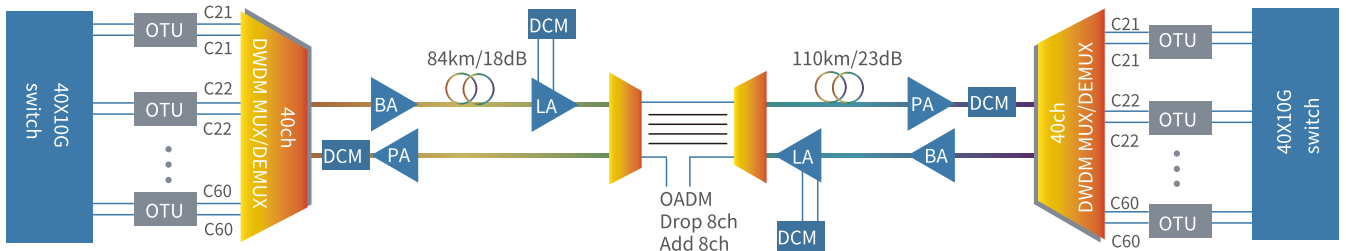
### Point-to-Point

The transmission of Point-to-Point uses single or dual fiber. Using WDM technology, to realize the transmission of multiple different types of services. (SDH, SONET, Ethernet, Fibre Channel, CPRI, etc.)



### Chain network

Chain transmission uses a WDM system to realize the interconnection of different types of services (SDH/SONET, Ethernet, FC, CPRI, etc.) between each node in single-core or dual-core optical fiber.



## Ring network

Ring network transmission uses multiplex services between each node of WDM equipment to form a ring network transmission. Ring network equipment can be used as an optical cable protection system and network management monitoring, to realize the interconnection of multiple different types of services (SDH/SONET, Ethernet, FC, CPRI, Internet, SAN, etc.) between each node of single-core or dual-core optical fiber.

